



## PLV

### Commercial mini air cooler - stock range

#### General information & application

Helpman PLV coolers are commercial heavy duty mini coolers for general application in small size cooling and freezing rooms. The model design is characterised by a very low silhouette (all models 15 cm) for the efficient use of cold room space. Helpman PLV coolers are available from stock.

Evaporating temp.	+5 to -40°C
Refrigerants	all H(C)FC
Capacities (SC2)	400 up to 2230 W
Air volume	450 up to 1560 m <sup>3</sup> /h.

#### Coil

Coil manufactured from Cu ripple fin<sup>®</sup> tubes  $\varnothing$  1/2" and Alu-fins. Tube pitch 38 x 38 mm square. Fin spacings 4 or 6 mm.

#### Casing

Durable aluminium casing, white epoxy coated RAL 9003. Easy installation and maintenance thanks to hinged drip tray construction. Helpman PLV coolers may be supplied with a drip tray for wall mounting.



#### Fan motors

1, 2 or 3 blow-through fans 230/50/1, diameter  $\varnothing$  254 mm. Fan motor protection class IP-44. Fans are fitted with balanced aluminium fan blades and plastic fan guards.

#### Eflo<sup>®</sup> refrigerant circuiting

With the Eflo<sup>®</sup> liquid distribution system, the refrigerant is evaporating through the coil in parallel flow with the air. Superheating takes place on the air-inlet side (highest tube temperatures!). With Eflo<sup>®</sup>, the cooling performance improves as a result of :

- Even frost formation over the coil.
- Prolongued cooling cycle.
- Reduced defrost cycle.



PLV

#### Certifications

All DX cooler models are "Eurovent Certify All" certified. The Alfa Laval quality system is in accordance with ISO 9001. All products are manufactured according to CE and PED rules.

#### Test

Design pressure 25 bar. Each heat exchanger is leak tested with dry air and finally supplied with a nitrogen pre-charge.

#### Options

- Electric defrost (E2)
- Drip tray for wall mounting

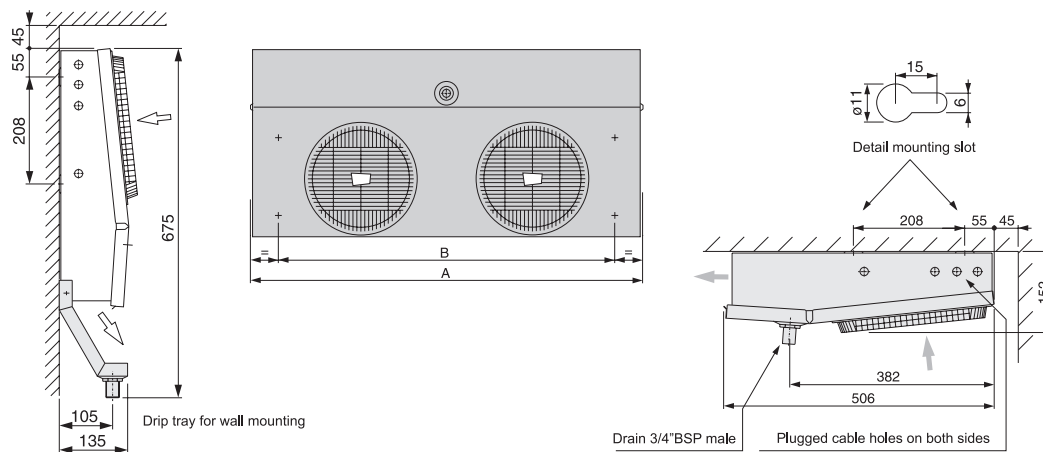


Set of installation materials & drill mould included.

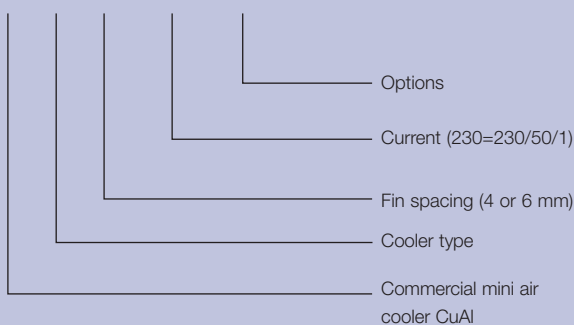
cooler model	capacity W <sup>1)</sup>	air flow m <sup>3</sup> /h	coil surface m <sup>2</sup>	int. vol. dm <sup>3</sup>	weight kg	Fans 230/50/1					Dimensions mm		Refrig. conn.	
						nr.	capacity		air throw m	sound pressure dB(A)	A	B	inlet OD	suction ODS
							nom. W	absorbed <sup>2)</sup> W						
<b>Fin spacing 4 mm</b>														
PLV 13-4	490	500	2.6	0.6	9	1	10	40	10	48	580	450	½"	½"
PLV 14-4	650	475	3.4	0.8	9	1	10	40	10	48	580	450	½"	½"
PLV 15-4	760	450	4.3	1.0	10	1	10	40	10	48	580	450	½"	½"
PLV 23-4	1160	1000	5.1	1.2	15	2	10	40	10	51	1030	900	½"	½"
PLV 24-4	1440	950	6.9	1.6	16	2	10	40	10	51	1030	900	½"	½"
PLV 25-4	1590	900	8.6	2.0	17	2	10	40	10	51	1030	900	½"	½"
PLV 33-4	1720	1500	7.7	1.8	22	3	10	40	10	53	1480	1350	½"	½"
PLV 34-4	2040	1425	10.3	2.4	23	3	10	40	10	53	1480	1350	½"	½"
PLV 35-4	2230	1350	12.9	3.0	24	3	10	40	10	53	1480	1350	½"	½"
<b>Fin spacing 6 mm</b>														
PLV 13-6	400	520	1.8	0.6	8	1	10	40	10	48	580	450	½"	½"
PLV 14-6	550	495	2.4	0.8	9	1	10	40	10	48	580	450	½"	½"
PLV 15-6	650	475	3.0	1.0	9	1	10	40	10	48	580	450	½"	½"
PLV 23-6	960	1040	3.6	1.2	15	2	10	40	10	51	1030	900	½"	½"
PLV 24-6	1220	990	4.7	1.6	16	2	10	40	10	51	1030	900	½"	½"
PLV 25-6	1400	950	5.9	2.0	17	2	10	40	10	51	1030	900	½"	½"
PLV 33-6	1470	1560	5.3	1.8	22	3	10	40	10	53	1480	1350	½"	½"
PLV 34-6	1790	1485	7.1	2.4	23	3	10	40	10	53	1480	1350	½"	½"
PLV 35-6	2015	1425	8.9	3.0	24	3	10	40	10	53	1480	1350	½"	½"

1) Capacities R-404A / R-507A (t<sub>0</sub> = -8°C, DT<sub>1</sub> = 8K, lightly frosted coil).

2) Fan power is given per motor. Absorbed fan motor energy is measured under laboratory conditions at ambient temperature 20 °C. Values may vary depending on local conditions.



### PLV 24 - 6 - 230 - E2...



### Benefits

- Available from stock.
- Very low silhouette (15 cm all types).
- Heavy duty coil & casing materials, resulting in a long operational product life.
- Eflo® refrigerant circuiting for higher effective cooling capacity.
- Reliable performance, Eurovent certified.
- Easy-install. Set of installation materials & drill mould included.
- Energy efficient - low total cost of ownership.
- Two-year product guarantee.

ERC00175EN 0911

Alfa Laval reserves the right to change specification without prior notification.

### How to contact Alfa Laval

Up-to-date Alfa Laval contact details for all countries are always available on our website at [www.alfalaval.com](http://www.alfalaval.com)

